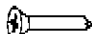
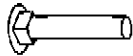
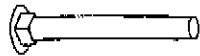
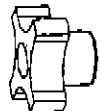
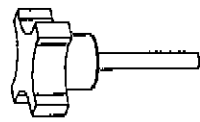





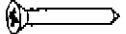

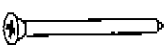
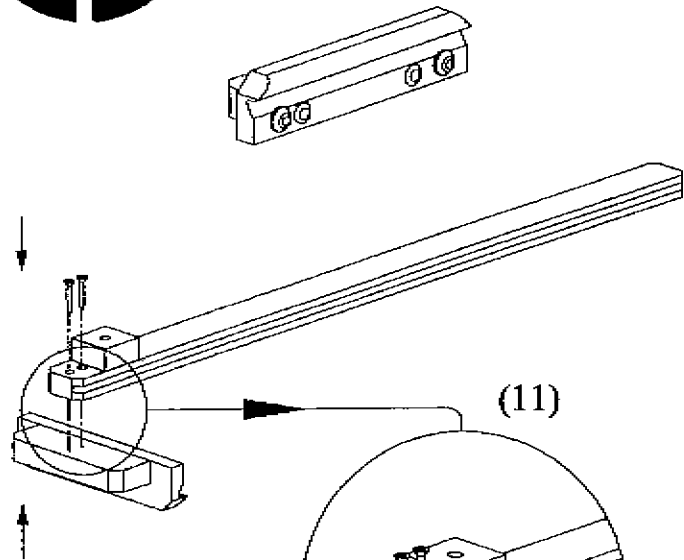




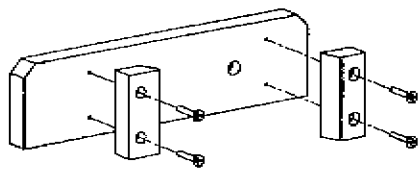
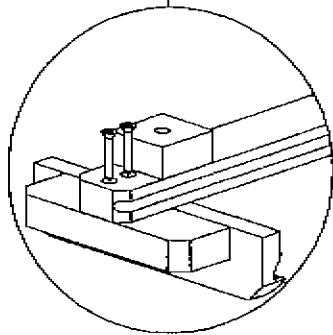
ASSEMBLY INSTRUCTIONS

CHARIOT - EASEL * Mod. Nr. 886007

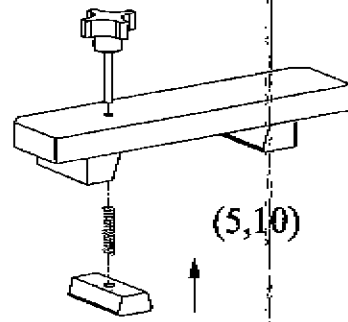
N.O	Q'TY	DESCRIPTION	
1	12 pcs	Wooden screw M3.5 x 15	
2	2 pcs	Cylinder Bolt M6 x 32	
3	4 pcs	Cylinder Bolt M6 x 45	
4	6 pcs	Plastic Screw Nut	
5	1 pc	Plastic Screw Nut	
6	6 pcs	Washer Ø 6	
7	8 pcs	Plastic Washer Ø6, thickness 1	
8	2 pcs	Bass	
9	4 pcs	Plastic Washer Ø6, thickness 1	
10	1 pc	Spring	
11	12 pcs	Wooden screw M4 x 25	
12	18 pcs	Plastic Nut	
13	12 pcs	Wooden screw M4 x 40	



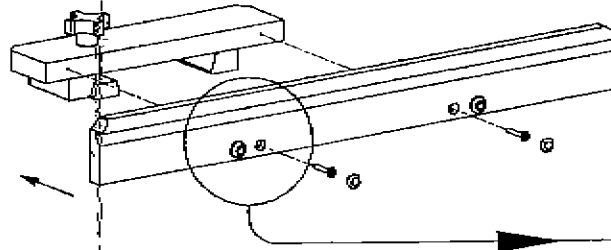
(11)



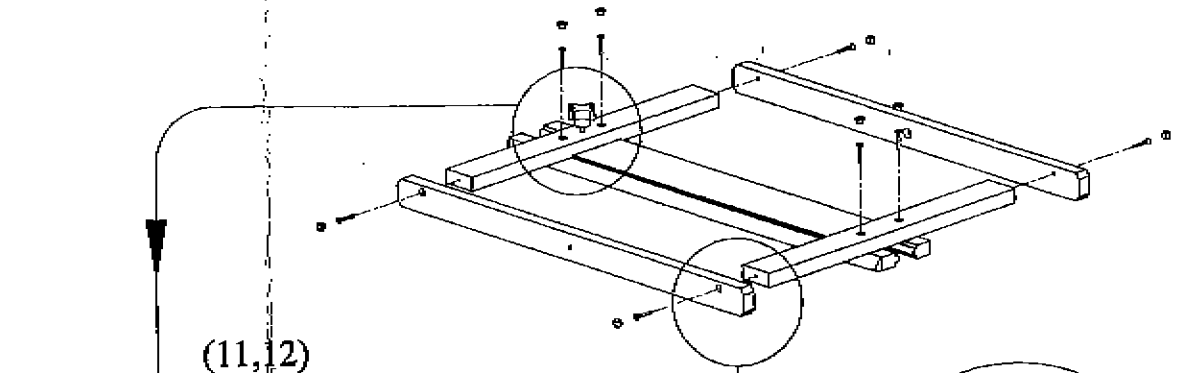
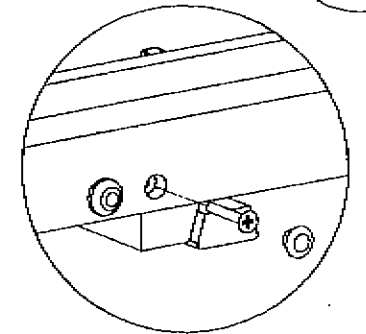
(11)



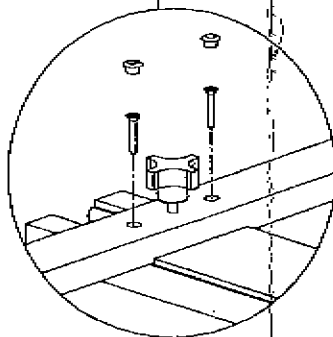
(5,10)



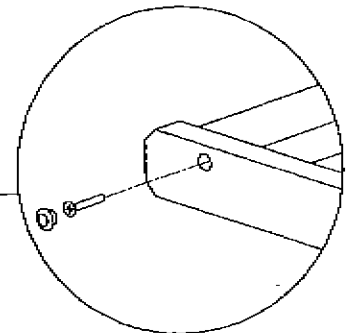
(11,12)

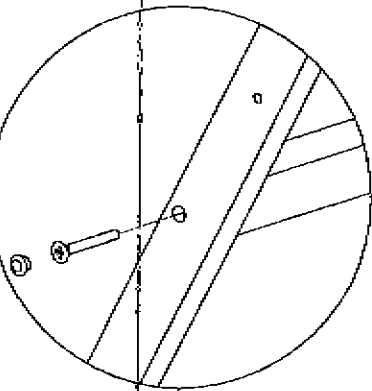
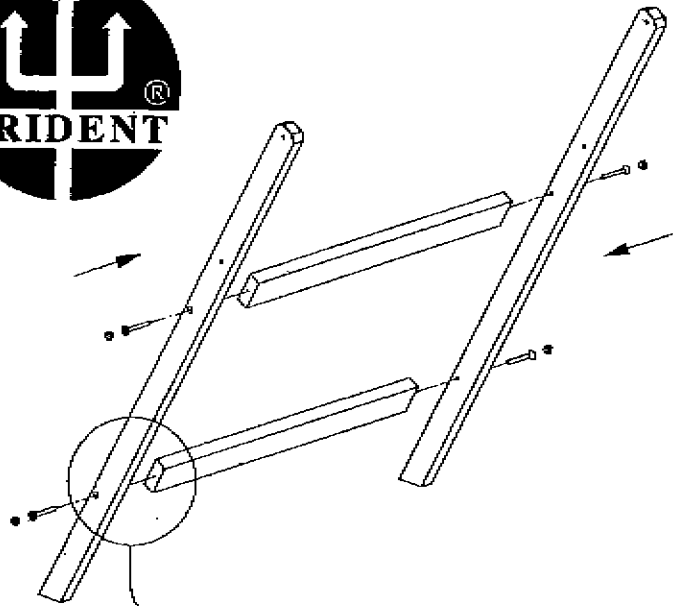


(11,12)

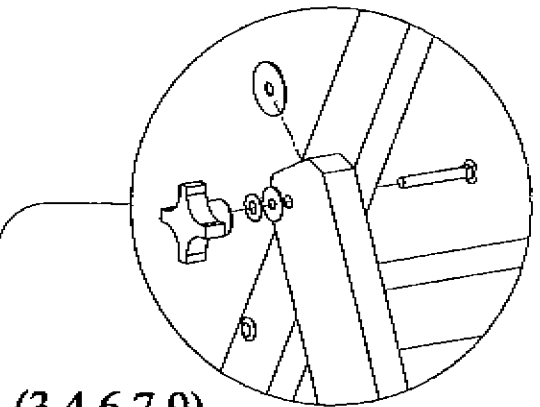


(12,13)

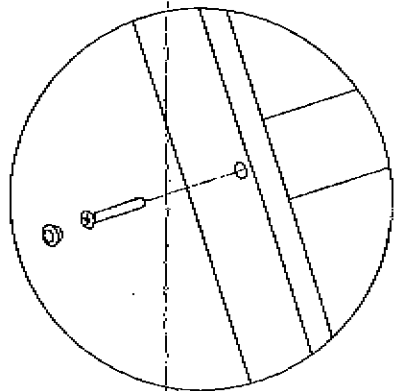
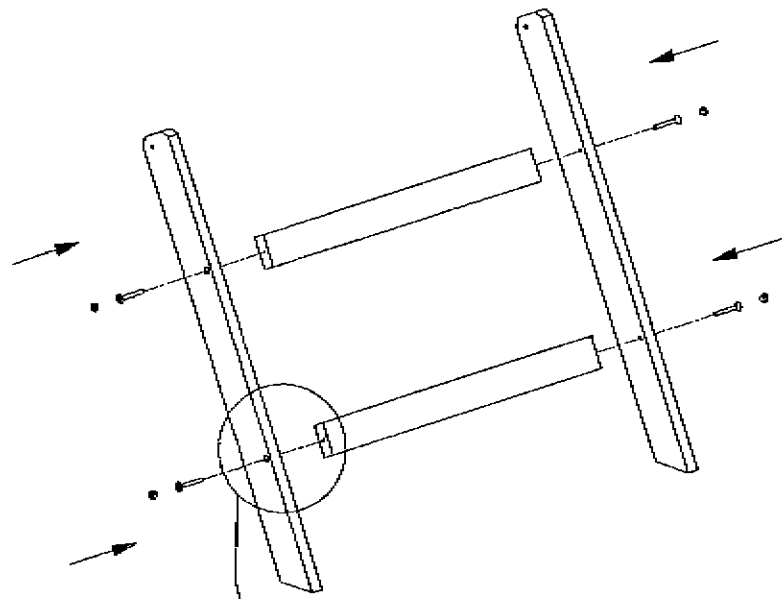




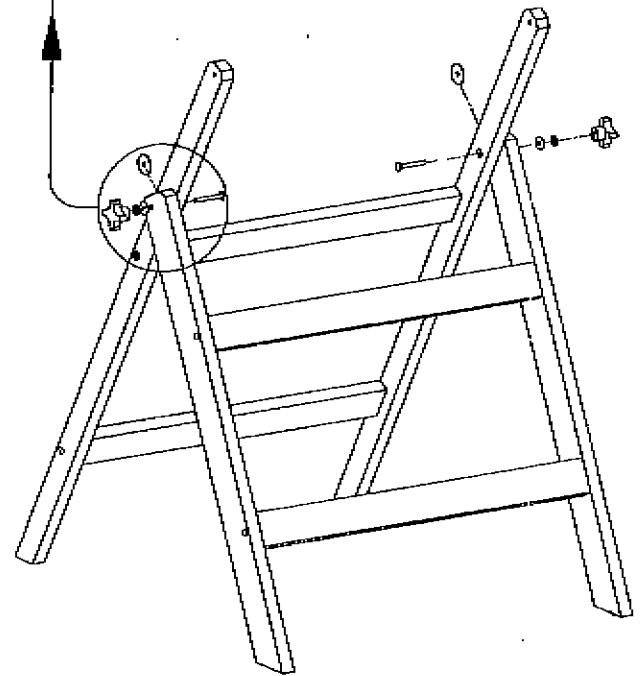
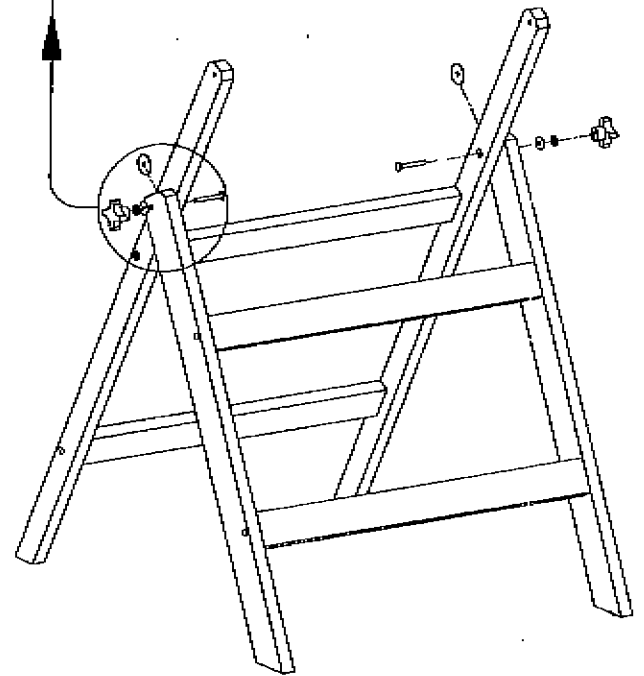
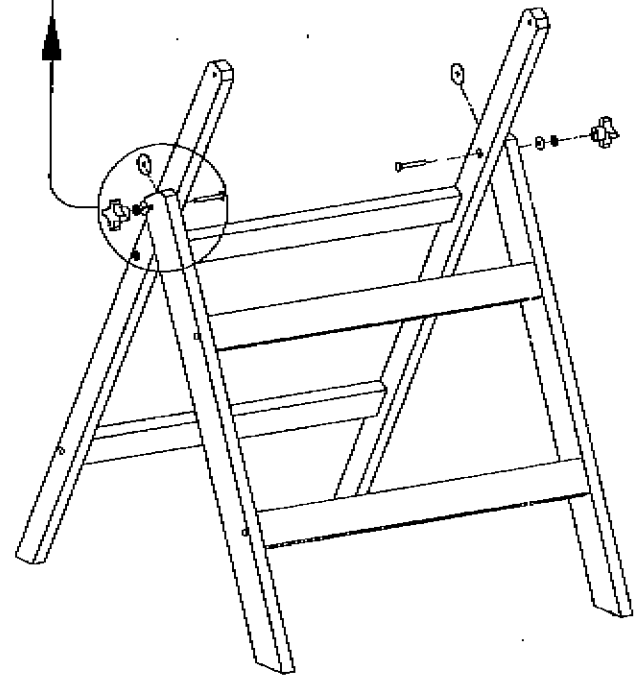
(12,13)

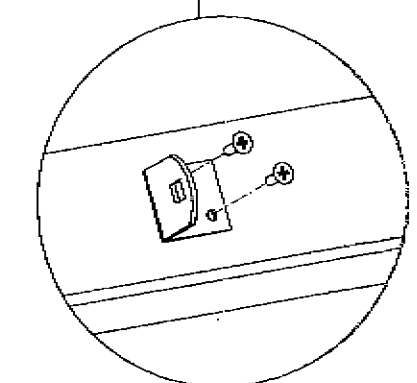
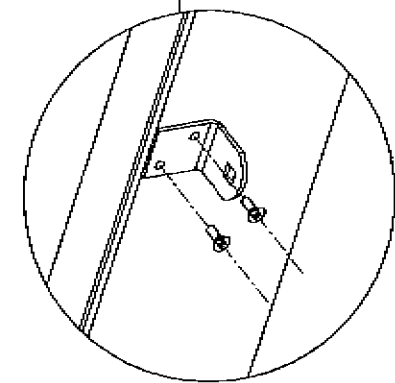
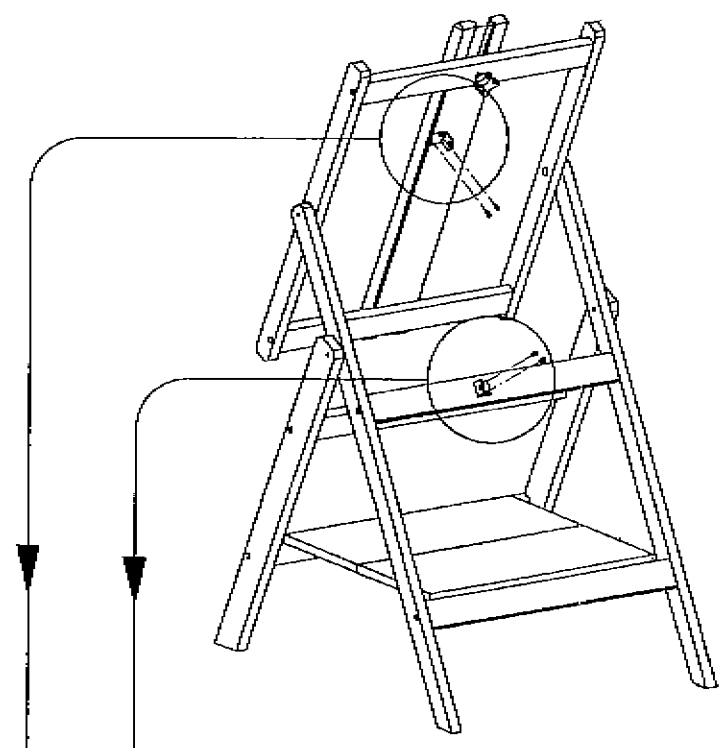
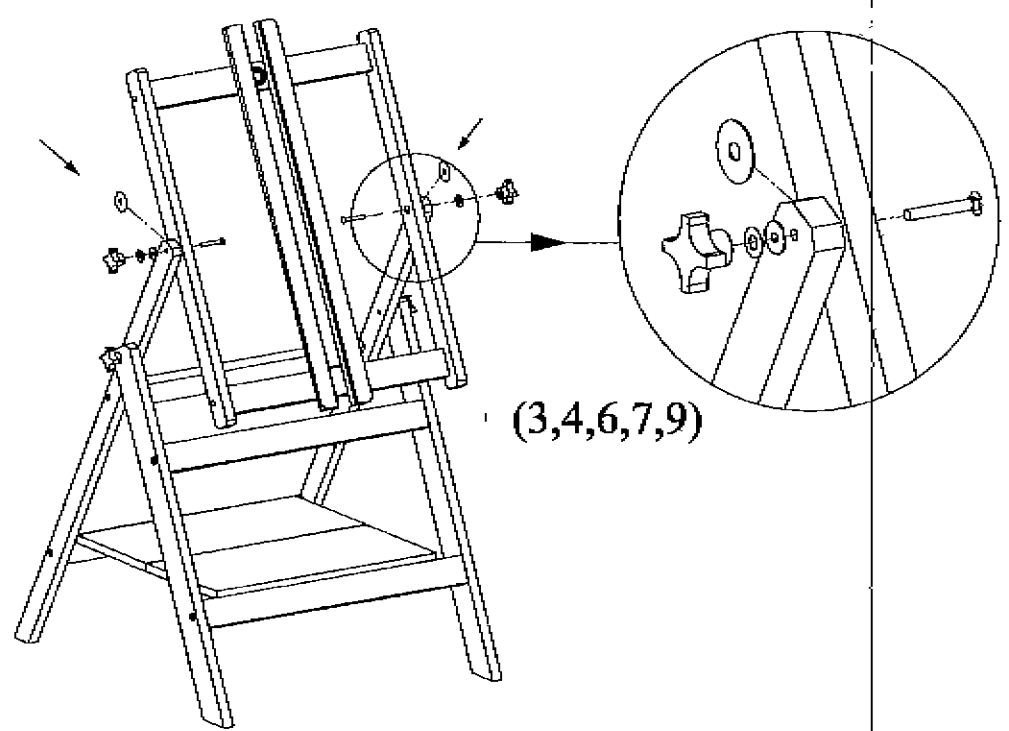
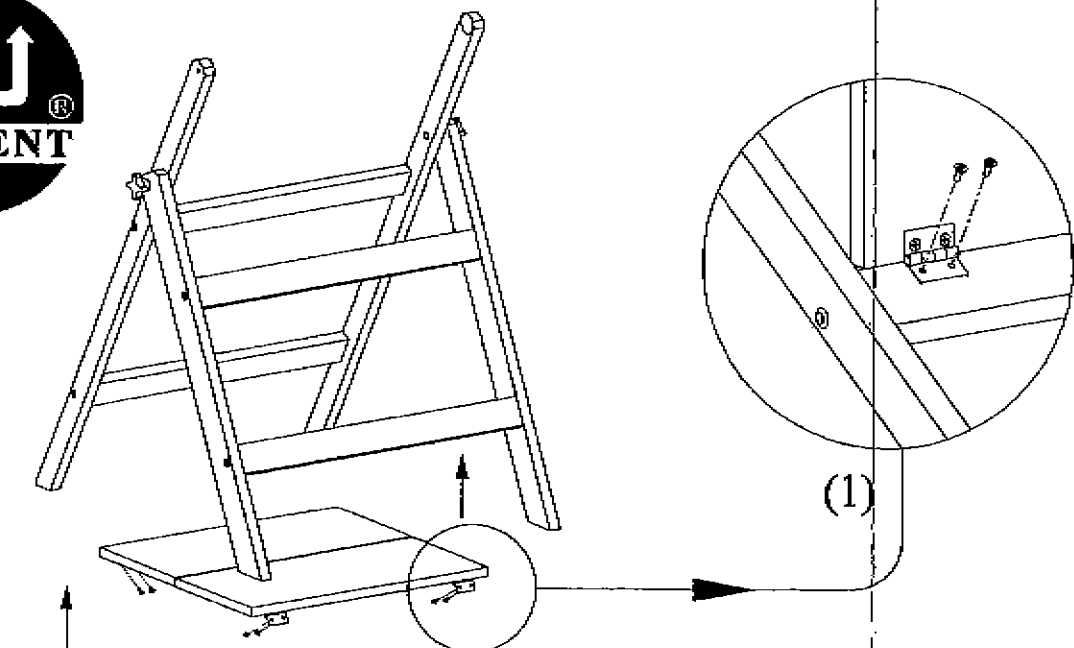


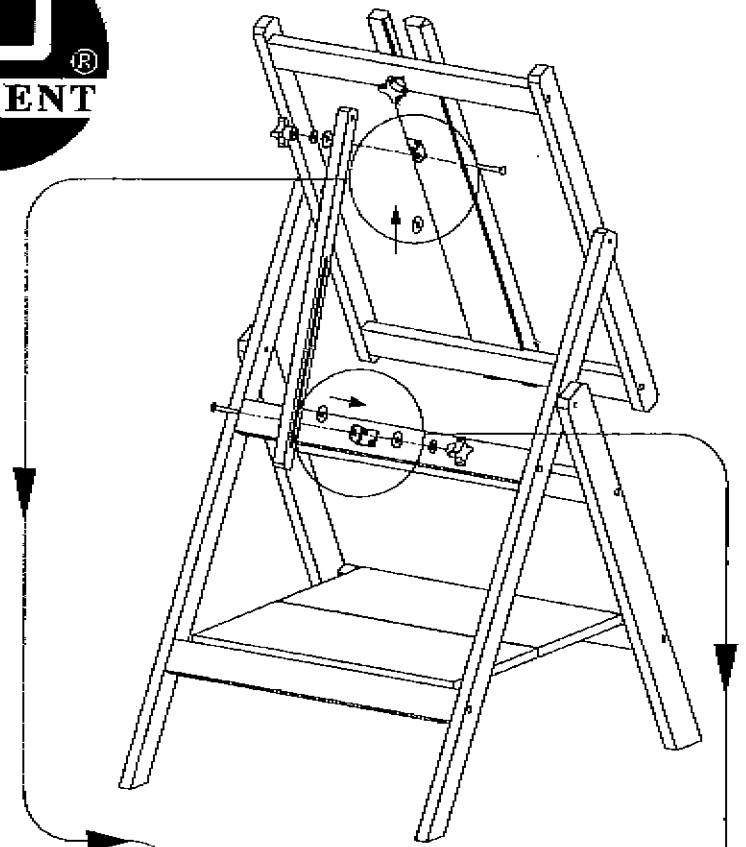
(3,4,6,7,9)



(12,13)







(2,4,6,7)

